

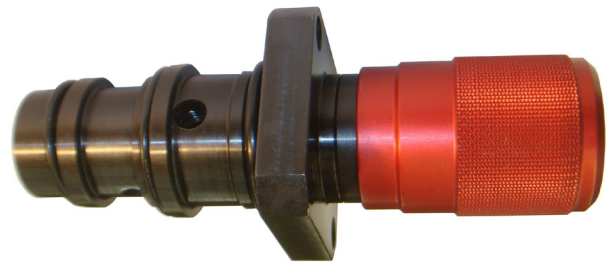
Two-way flow control cartridge with check valve

Type: MRP-2-6-2-FM

Item no.: F04-FM03-001

Description:

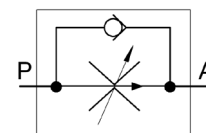
This two-way flow control valve with pressure compensator and check valve is designed as an insertable cartridge, and is used for flow control independent of pressure and viscosity with free backflow. The volumetric flow from Duct P to Duct A is throttled at the throttling point. The cross-section of the throttle is adjusted by turning the rotary knob. In order to maintain the volumetric flow - independent of pressure - a pressure compensator is installed in Duct A, downstream from the throttling point. The continuous readjustment provided by the pressure compensator achieves a constant volumetric flow. The free backflow from Duct A to Duct P occurs via the recoiling throttle piston.



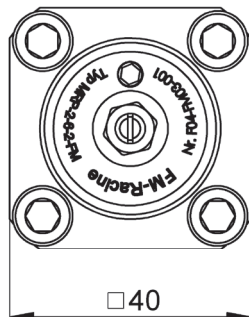
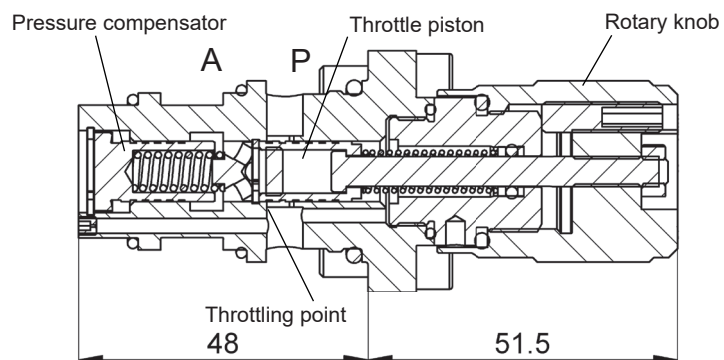
Parameters:

Nominal size:	6mm
Nominal flow rate:	15 l/min
Pressure range:	10-315 bar
Viscosity range:	10-500 mm ² /s
Mass:	0.3 kg

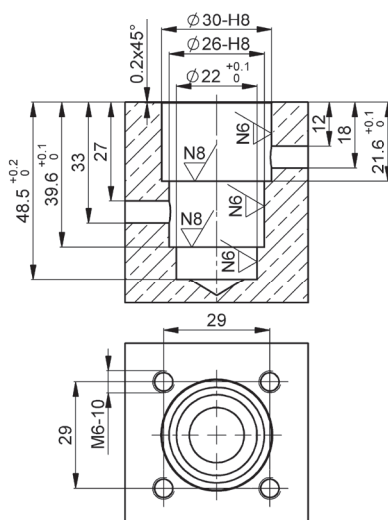
Circuit symbol



Cross-section



Installation chamber



Flow diagram

